

# NARVA® NEW PRODUCT RELEASE

October 2009

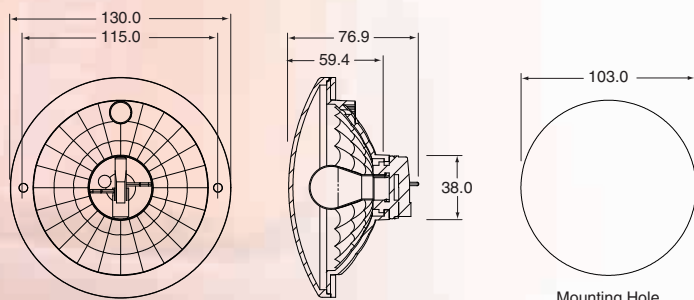


## STYLISH 130mm TAIL LAMPS

These stylish new rear lamps offer a touch of prestige to any modern caravan, motor home, truck or bus. They boast smooth lines, attractive free-form reflectors and are constructed from durable PMMA acrylic.

Available in 3 models: rear direction indicator, stop/tail, and reverse. All models feature a pre-wired, sealed globe socket with fitted 12V globe and are designed to mount within a recessed cavity for a flush finish.

- **Attractive, Modern Design**
- **Free Form Reflector**



P/No:	Barcode:	Availability:
<b>Description:</b>		
Rear Direction Indicator Lamp (with fitted 12 volt globe)		
<b>86280</b>	9314464862809	Ex-stock
NB: To use lamp in 24V application use globe P/No 47241		
<b>Description:</b>		
Stop/Tail Lamp (with fitted 12 volt globe)		
<b>86290</b>	9314464862908	Ex-stock
NB: To use lamp in 24V application use globe P/No 47336		
<b>Description:</b>		
Reverse Lamp (with fitted 12 volt globe)		
<b>86300</b>	9314464863004	Ex-stock
NB: To use lamp in 24V application use globe P/No 47241		



Distributed by  
**Australia**  
**Brown & Watson International Pty. Ltd.** Knoxfield, Victoria 3180  
**New Zealand**  
**Narva New Zealand Ltd.** Penrose, Auckland